

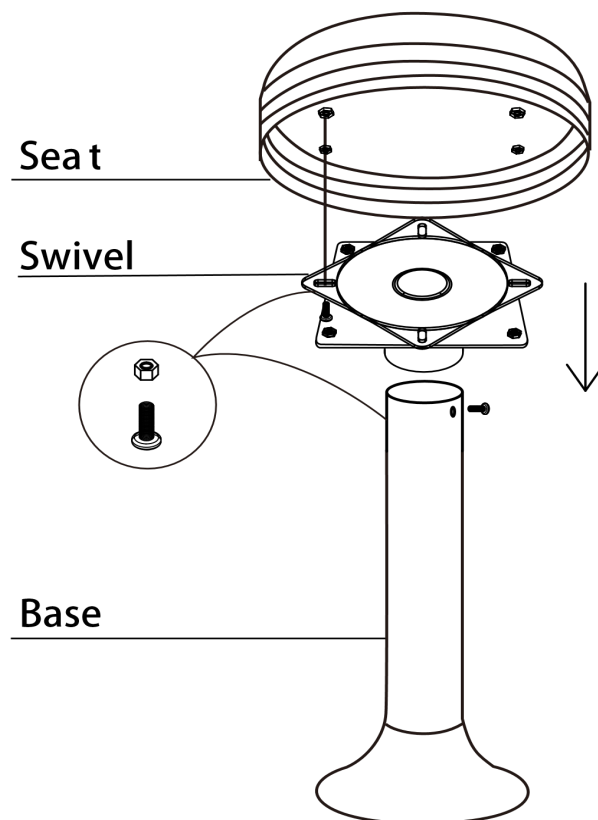
Assembly Instruction

Casey Barstool (BS-27)

Step 1. Please take 4 bolts out of the swivel by wrench.

Step 2. Use 4 bolts to attach the seat, swivel and base.

Step 3. Tighten all bolts to secure the barstool



BelAir