

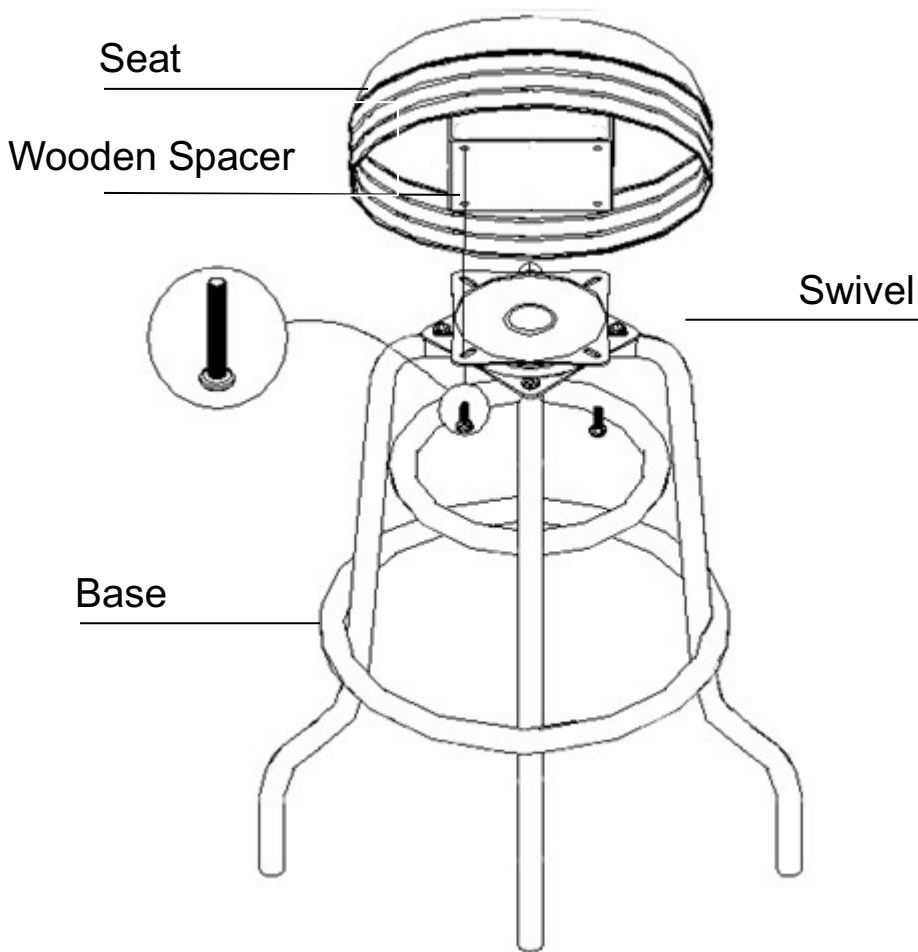
Assembly Instruction

Palace Barstool (BS-29)

Step 1. Use 4 small bolts to attach the swivel to the base.

Step 2. Use 4 larger bolts to attach the swivel to the spacer and the seat.

Step 3. Tighten all bolts to secure the barstool.



BeAir

